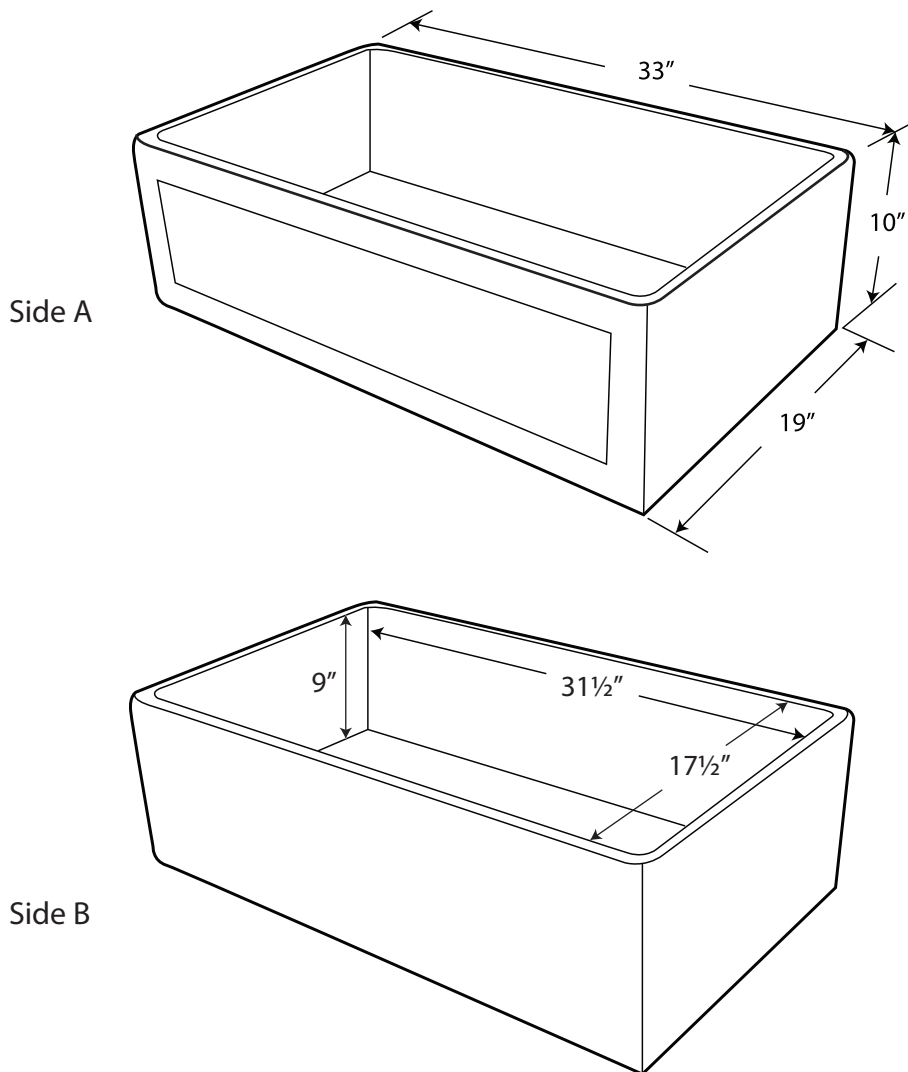




WHPLCON3319



As Whitehaus Collection® Farmhaus Fireclay Sinks are individually handmade, sink sizes can vary and all dimensions are approximate. We strongly recommend that your sink be supplied to your cabinet-maker prior to the fabrication of your kitchen cabinets and countertops. Cutouts are not to be made until they are checked against your sink. Whitehaus Collection® recommends the use of a protective grid in the bottom of the sink to avoid potential scuffing from heavy-duty cookware.

LIVE WITH STYLE!