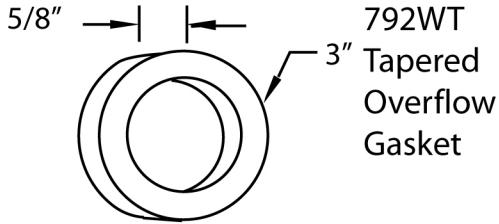
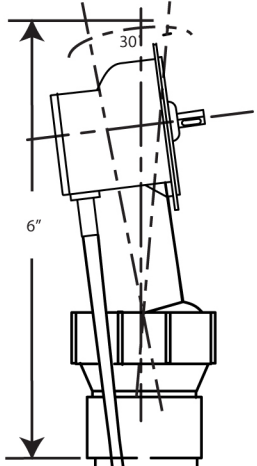
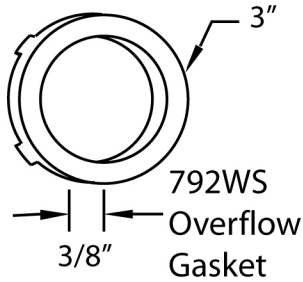


D50P27BJ-EL
Top Elbow
Assembly

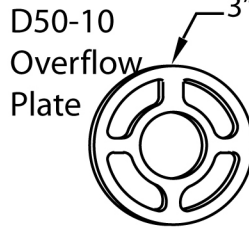


792WT
3" Tapered
Overflow
Gasket

OR

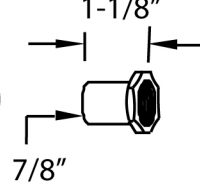


792WS
3" Overflow
Gasket



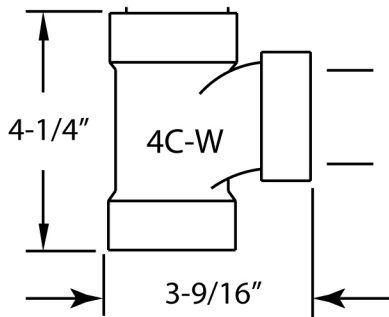
D50-10
Overflow
Plate

D50-11
Overflow
Nut
1-1/8"



1-1/2" Sch 40
Not Supplied

27" Cable
D50-27



1-1/2" PVC
Solvent Weld

Bath Shoe Elbow Less
Cable D50-8P