

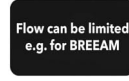
# SAMUEL HEATH

**Product Number:** V101-T

**Description:** Trim set for V134-IS thermostatic valve



## Standards



## Flow rates

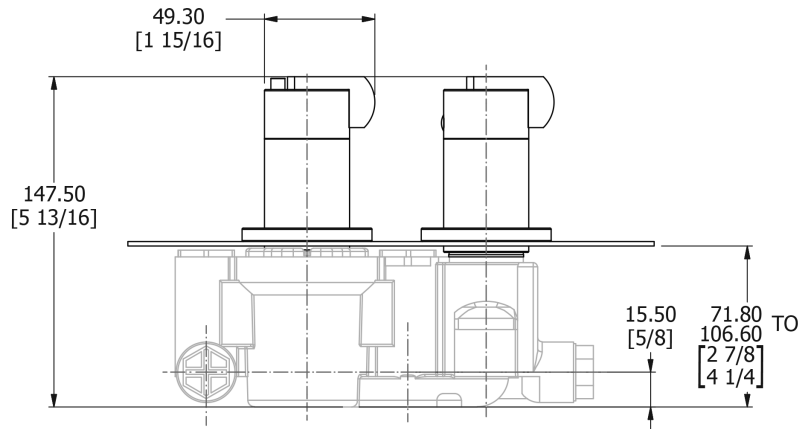
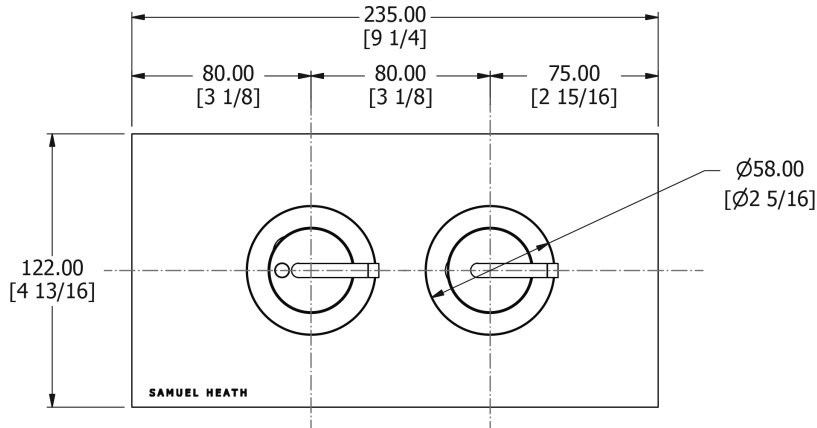
Litres/Min	0.1 Bar	0.5 Bar	1.0 Bar	2.0 Bar	3.0 Bar	4.0 Bar	5.0 Bar
1/2" Feed		10.2	15.8	24.7	29.6	33.7	37.5
3/4" Feed		10.2	15.8	24.7	29.6	33.7	37.5

Flow rate data provided is indicative of each product and is given in open outlet conditions. Installation design, external connections and fittings not supplied may affect the data provided.

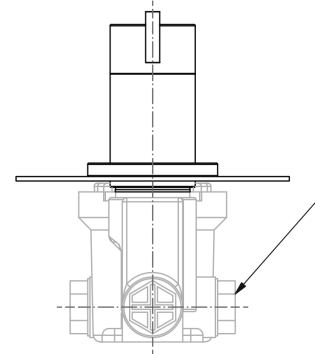
## Finishes Available



## Specification Drawing



SEE INSTALLATION KIT DRAWING  
UK / EUR - V134-IS  
US - V134-AIS



**UK Customer Service**  
Leopold Street  
Birmingham  
B12 0UJ  
Tel: +44 121 766 4200  
Email: info@samuel-heath.com

**US Customer Service**  
Federal I.D. No. 58-1504682  
Email: usa@samuel-heath.com

**Specification Enquiries**  
Design Centre Chelsea Harbour  
1st Floor, North Dome, London  
SW10 0XE  
Tel: 020 7352 0249  
Email: showroom@samuel-heath.com