

NEWPORT BATH

Features

- Solid brass construction
- Traditional styling
- Single function spray
- Finished spray surface
- Handshower incorporates twin back-check valves
- 1/2" NPT inlet elbow fitting
- 2" (5.1 cm) showerhead diameter
- 1.8 gallons (6.7 liters) per minute maximum flow rate showerhead

Codes / Standards Compliance

Meets or exceeds the following at date of manufacture:

- ASME A112.18.1/CSA B125.1
- IAPMO/cUPC
- IPC
- Energy Policy Act of 1992
- EPA Watersense
- All applicable US Federal and State material regulations

Colors / Finishes

- 10B: Oil Rubbed Bronze
- 15: Polished Nickel
- 15S: Satin Nickel - PVD
- 26: Polished Chrome
- Other: Refer to the Newport Brass catalog for additional color/finish options.

Handshower with Slidebar Set **281D**



Specified Model

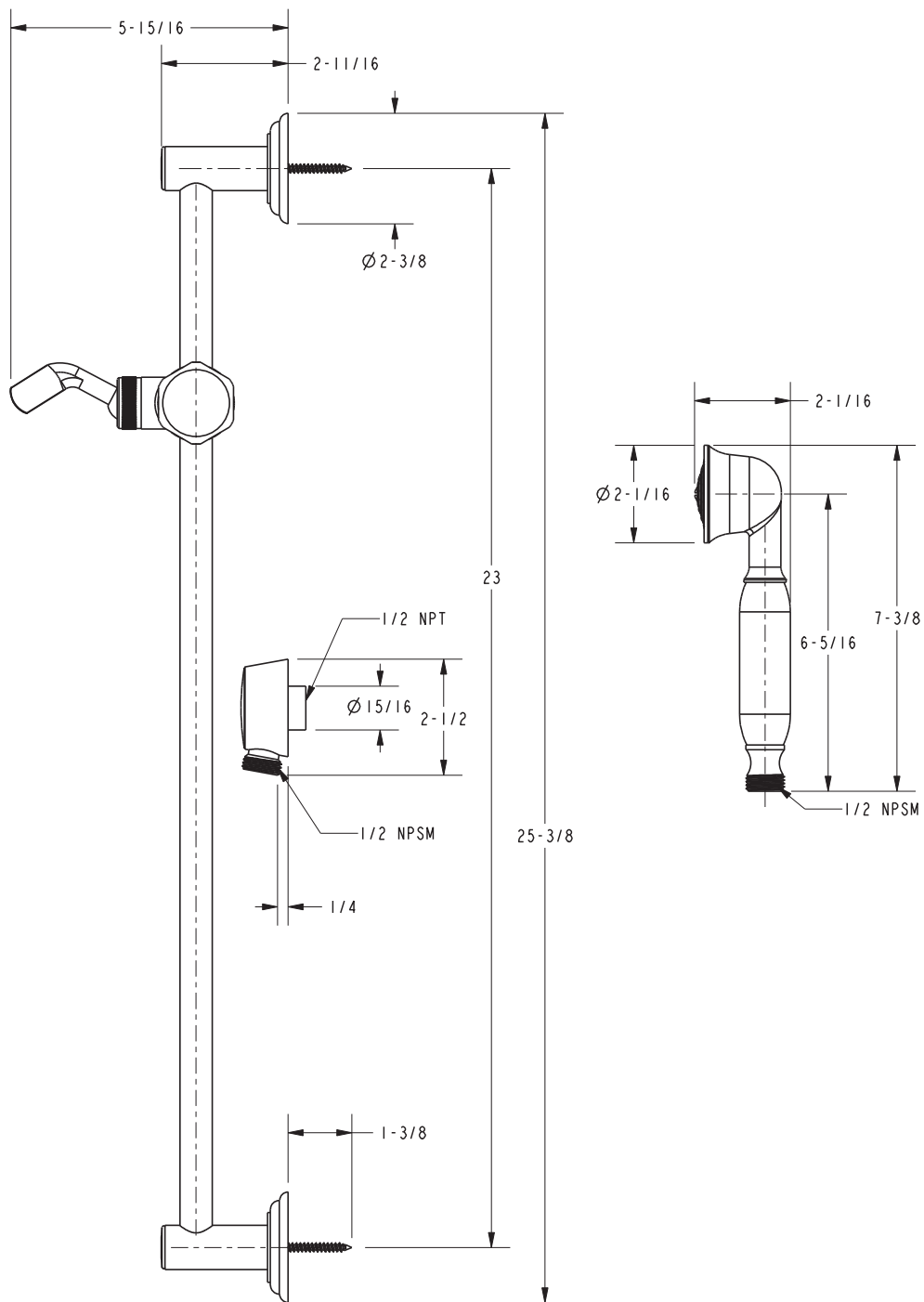
Model	Description	Colors Finishes
281D	Handshower with Slidebar Set	<input type="checkbox"/> 10B <input type="checkbox"/> 15 <input type="checkbox"/> 15S <input type="checkbox"/> 26 <input type="checkbox"/> Other

Product Specification: Add "Color / Finish" suffix to Model number, below.

The Handshower with Slidebar Set shall be of solid brass construction. Handshower with Slidebar Set shall have a single function spray pattern incorporating a finished spray surface. Handshower with Slidebar Set shall incorporate twin back-check valves within the handshower handle. Handshower with Slidebar Set shall have a 1/2" NPT inlet fitting and 2" (5.1 cm) showerhead diameter while operating at 1.8 gallons (6.7 liters) per minute maximum flow rate. Handshower with Slidebar Set shall be Newport Brass Model 281D/____.

281D

PRODUCT DIMENSIONS *(Units are in inches)*



Newport Bath Handshower with Slidebar Set 281D