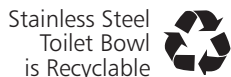


**miniLoo® Toilet**



**Model Shown: 8952-W-1-DFSP-HS-CMFR**  
Satin Finish (Standard) Stainless Steel MiniLoo Toilet; Geberit® Concealed Tank & Carrier System with Neo-Metro's Satin Finish Dual Flush Panel; Chrome Plated-Mira Finish Round Toilet Seat

- **SPACE SAVING COMPACT CONICAL ROUND TOILET DESIGNED TO WORK WITH A GEBERIT® CONCEALED TANK AND CARRIER SYSTEM** Tank & Carrier System Sold Separately from Fixture. Geberit® system is Installed into a Wall Utilizing Standard Resident Water Lines; Waste Outlet in the Wall
- **Water Saving Dual Flush Actuator Panel Dispenses 0.8 Gallons (3 Liters) per Flush for Liquid Waste and 1.6 Gallons (6 Liters) per Flush for Solid Waste**
- **Heavy 16-Gage Stainless Steel Construction**
- **Toilet Punched for Top Mounted Seat** Seat Hole Plugs Provided; Seat Sold Separately
- **Available in Off-Floor(-1) Configuration Only**
- **Codes/Standards Applicable - ANSI A112.19.2,**



Neo-Metro is a Member of U.S. Green Building Council



**DESCRIPTION** MODEL/OPTION #

**TOILET BOWL** - Required Selection INIT. \_\_\_\_\_

**Off-Floor Mounting (Wall Waste) Wall Supply Toilet**

- |   |                    |
|---|--------------------|
| <input type="checkbox"/> <b>Satin Finish</b> (Standard)                   | 8952-W-1           |
| <input type="checkbox"/> <b>Mira Finish</b> (High Polish)                 | 8952-W-1-HP        |
| <input type="checkbox"/> <b>White</b> Gloss Powdercoat                    | 8952-W-1-EG-10     |
| <input type="checkbox"/> <b>White</b> Gloss Powdercoat, Satin Finish Bowl | 8952-W-1-EG-10-SFB |
| <input type="checkbox"/> <b>White</b> Gloss Powdercoat, High Polish Bowl  | 8952-W-1-EG-10-HPB |
| <input type="checkbox"/> <b>White</b> Matte Powdercoat                    | 8952-W-1-EG-26     |
| <input type="checkbox"/> <b>White</b> Matte Powdercoat, Satin Finish Bowl | 8952-W-1-EG-26-SFB |
| <input type="checkbox"/> <b>White</b> Matte Powdercoat, High Polish Bowl  | 8952-W-1-EG-26-HPB |
| <input type="checkbox"/> <b>Black</b> Gloss Powdercoat                    | 8952-W-1-EG-07     |
| <input type="checkbox"/> <b>Black</b> Gloss Powdercoat, Satin Finish Bowl | 8952-W-1-EG-07-SFB |
| <input type="checkbox"/> <b>Black</b> Gloss Powdercoat, High Polish Bowl  | 8952-W-1-EG-07-HPB |
| <input type="checkbox"/> <b>Black</b> Matte Powdercoat                    | 8952-W-1-EG-22     |
| <input type="checkbox"/> <b>Black</b> Matte Powdercoat, Satin Finish Bowl | 8952-W-1-EG-22-SFB |
| <input type="checkbox"/> <b>Black</b> Matte Powdercoat, High Polish Bowl  | 8952-W-1-EG-22-HPB |

Add (+)

**FLUSHING MECHANISM** Required Selection INIT. \_\_\_\_\_

**Neo-Metro's Dual Flush Panel**



- Select Finish on Panel**
- |   |            |
|---|------------|
| <input type="checkbox"/> <b>Satin Finish</b> (Standard)   | DFSP       |
| <input type="checkbox"/> <b>Mira Finish</b> (High Polish) | DFMP       |
| <input type="checkbox"/> <b>White</b> Gloss Powdercoat    | DFSP-EG-10 |
| <input type="checkbox"/> <b>White</b> Matte Powdercoat    | DFSP-EG-26 |
| <input type="checkbox"/> <b>Black</b> Gloss Powdercoat    | DFSP-EG-07 |
| <input type="checkbox"/> <b>Black</b> Matte Powdercoat    | DFSP-EG-22 |

Add (+)

**ACCESSORIES** INIT. \_\_\_\_\_

**ABS Plastic Round Seat with Cover**



- |   |         |
|---|---------|
| <input type="checkbox"/> <b>Chrome Plated - Satin Finish</b>              | HS-CSFR |
| <input type="checkbox"/> <b>Chrome Plated - Mira Finish</b> (High Polish) | HS-CMFR |



**APPROVAL FOR MANUFACTURE**

COMPANY: \_\_\_\_\_

PROJECT NAME: \_\_\_\_\_

SIGNEE'S NAME WRITTEN CLEARLY: \_\_\_\_\_

DATE \_\_\_\_\_

AUTHORIZED SIGNATURE: \_\_\_\_\_

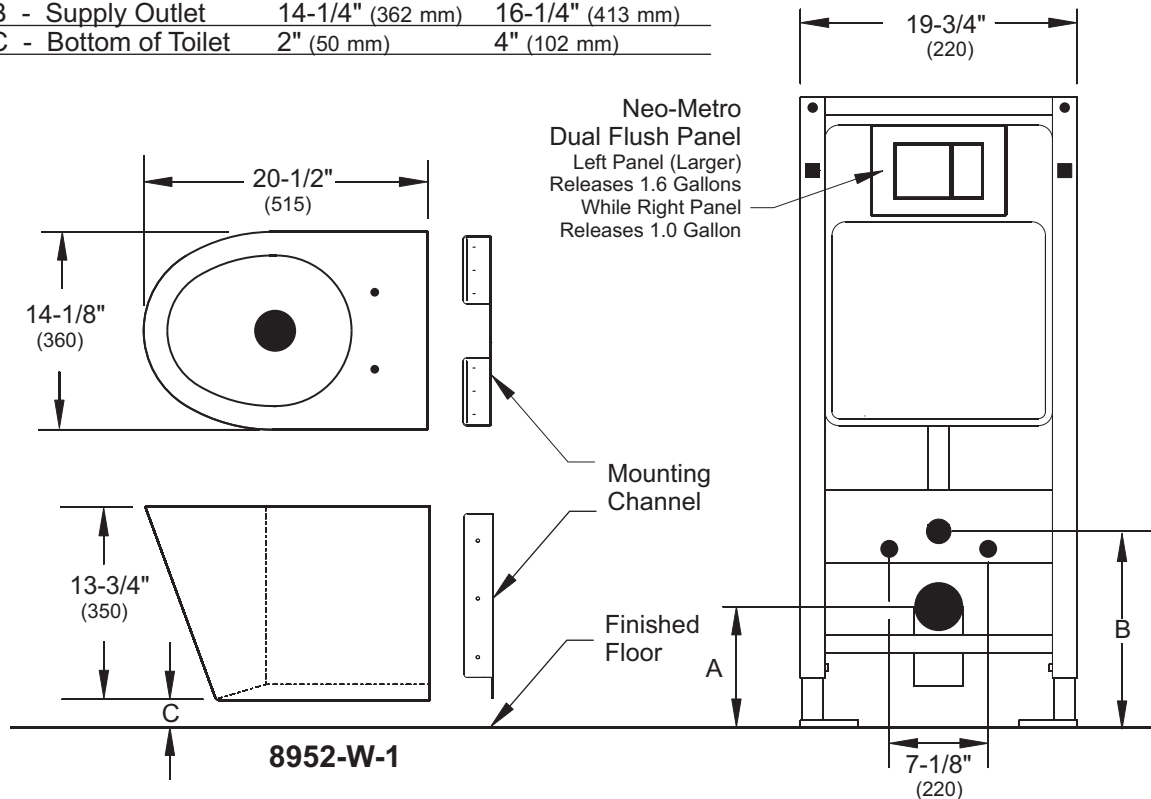
**WARNING:** Cancer and Reproductive Harm - www.P65Warnings.ca.gov

# miniLoo™ Toilet

**PRODUCT Specification . . .** The cistern flush style toilet is designed to work with the Geberit® concealed tank and carrier system (tank & carrier sold separately from fixture). A Neo-Metro Dual Flush Panel releases 1.0 or 1.6 gallons (3.8 or 6 liters) per flush. Toilet shall be fabricated of 16-gage, Type 304 stainless steel. Toilet is configured for an off-floor wall mounted application. Toilet bowl is a compact conical round bowl and is punched and threaded for a top mounting round toilet seat. Seat sold separately. Stainless steel P-Trap shall pass a 2-1/8" (54 mm) ball. Toilets meet ASME/ANSI guidelines as outlined in A112.19.2M-1998. Both toilet and Dual Flush Panel are available in Satin (Standard), Mira (High Polish), White or Black Gloss Powdercoat Stainless Steel.

**PLUMBING Specification . . .** The toilet must use a Geberit® concealed (in-wall) tank and carrier system. Geberit® carrier requires 19-3/4" (502 mm) clearance between 2" x 6" (51 mm x 152 mm) wall studs. Tank releases an average 1 or 1.6 gallons (3.8 or 6 liters) per flush using Neo-Metro Dual Flush panel. Both water inlet and waste outlet are through the wall.

DIMENSION FROM FINISH FLOOR	STANDARD INSTALLATION	18" RIM HEIGHT INSTALLATION
A - Waste Outlet	9" (230 mm)	11" (279 mm)
B - Supply Outlet	14-1/4" (362 mm)	16-1/4" (413 mm)
C - Bottom of Toilet	2" (50 mm)	4" (102 mm)



Neo-Metro assumes no responsibility for use of void or suspended data. All dimensions are nominal and subject to manufacturer change without notice.

## INSTALLATION INSTRUCTIONS ARE AVAILABLE