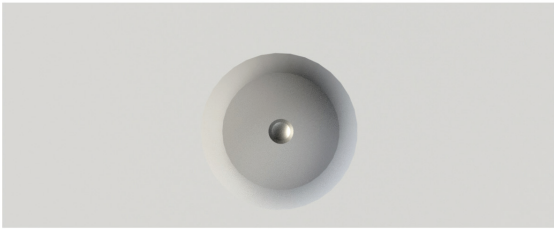
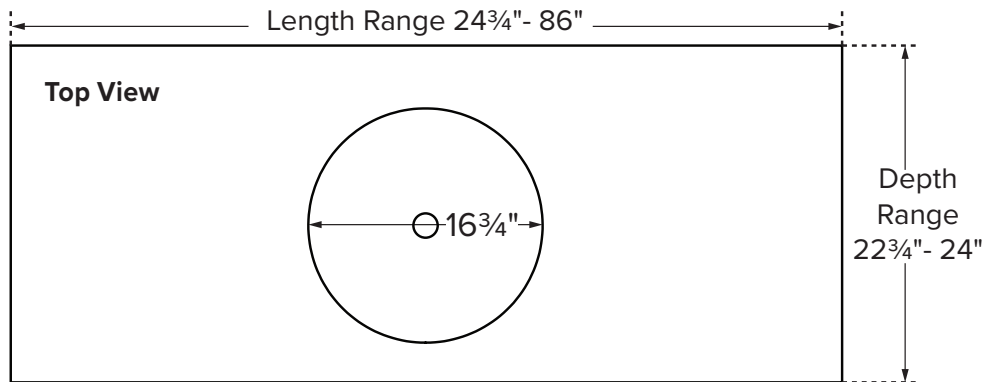


Halo 2 CS

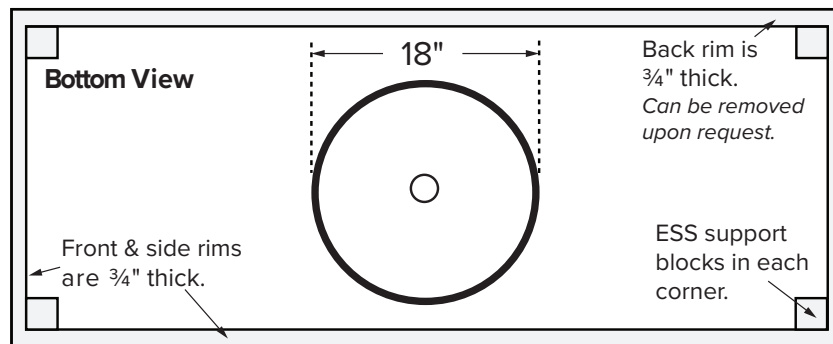
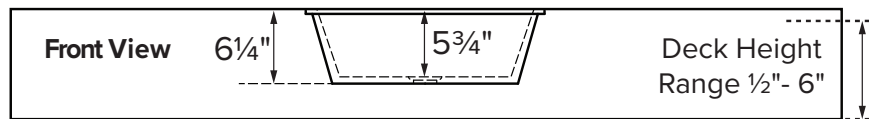


Visit <https://configurator.mtibaths.com> to create your custom counter-sink.

MODEL 863
Bowl: 16.75" x 16.75"
WALL MOUNT or VANITY MOUNT
SculptureStone®



**NOTE:** Counter-sinks with a length of 36" and under have a maximum depth of 23".



**ORDERING AND INSTALLATION**

- Counter-sinks with a length of 36" and under have a maximum depth of 23".
- Due to the handcrafted nature of this product, please allow for a tolerance of  $\pm 1/4$ " for overall dimensions and  $\pm 1/2$ " for bowl placement.
- Corner support blocks are necessary only when deck height is over 1".
- All sides planned to install against a wall or other structure will be unfinished. Sides indicated as visible on order will be finished.
- Carefully review inside vanity specifications to ensure that there is proper clearance to accommodate the bowl, drain and optional integrated overflow, if applicable.
- Please take into consideration the thickness of material under the countertop when positioning sink bowl, using a deck-mounted faucet or adding an integrated overflow.
- Outside of overflow housing protrudes approx.  $3/4$ " from the bowl and may impact bowl placement.

• Check for accessories before discarding packaging.  
 • All product measurements are  $\pm 1/2$ ".  
 • Specifications and configurations are subject to change without notice.  
 • Measurements herein supersede all others published prior to publication date below.

MTCS-863

©2022 by MTI Baths, Inc. Modification Rights Reserved

See Product Manual for details.  
 MTI's Customer Service  
 Monday-Friday 8am-6pm EST  
 800-783-8827 or [service@mtibaths.com](mailto:service@mtibaths.com)



Rev. 08 31 2022