

**MBRO7142C**

70.5" x 41.5" x 19.375"

**Installation:** Drop-In

**Material:** Acrylic

**Plumbed Weight:** 185 lbs / 84 kg

**Soaker Weight:** 100 lbs / 45 kg

**Average Fill:** 46 gal to above jet level

**Maximum Fill:** 71 gal to overflow



| Package   | Package Content   | Part #            |
|-----------|---|-------------------|
| Soaker    | Soaking bath - No jets. Includes textured bottom.   | <b>MBSRO7142C</b> |
| Air Bath  | 12 air jets, heated air blower, pre-leveled foam base and textured bottom. Pre-leveled foam base increases overall tub height 2"-3" | <b>MBARO7142C</b> |
| Whirlpool | 6 point-massage jets, 1-bhp pump and textured bottom  | <b>MBWRO7142C</b> |

**Options** Must be ordered at time of purchase.

**Standard** White (no charge)

**Color Upgrade:** Biscuit (MTISCOLOR)

**Quick Ship / Priority**

Soaker & Whirlpool (QSHIPMTIS)

Airbath (QSHIPMTISA)

**Inline Heater**

For Whirlpool (HTRMTIS) uses existing pump

For Soaker & Air Bath (MBHTISOAK)

heater with recirculating pump

**Accessories.**

**Lift and Turn Drain & Overflow**

Chrome (MBWOC), White (MBWOW),

Brushed Nickel (MBWOBN)

**Pillows**

Soft Pillow

White (MBPSW) Black (MBPSB)

Roll-Up Pillow

Light Aqua (MBPRUC) Black (MBRUB)

**Installation Options.** Must be ordered at time of purchase.

**Tile Flange**

Factory-Installed rigid ABS

3 sides (MBTFK3), 2 sides (MBTFK2),

1 side (MBTFK1)

Must specify flange location(s) on order.

**Pre-Leveled Foam Base**

5' Tubs (MBPLFOAM)

5.5' & 6' Tubs (MBPLFOAM2)

All airbaths include a pre-leveled foam base.

**Pre-Leveled Frame and**

**Foam Base with Skirting**

Raised Fixed Panel

5' Tubs (MBFSKAO5), 5.5' Tubs (MBFSKAO5),

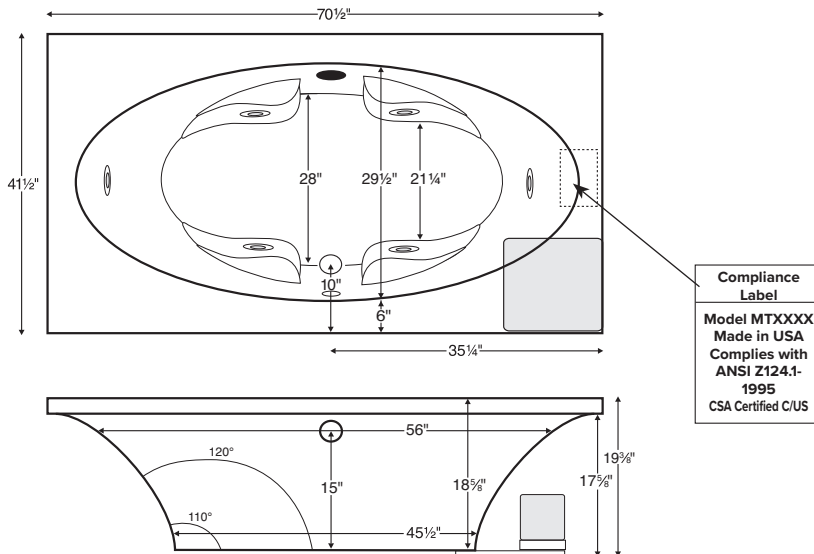
6' Tubs (MBFSKAO6)

Raised Removable Panels

5' Tubs (MBFSKAR5), 5.5' Tubs (MBFSKAR55),

6' Tubs (MBFSKAR6)

Shown with Whirlpool Package



**Important Ordering and Installation Information**

- Before ordering or installing, consider access to equipment.
- Always measure tub on-site before building tub deck.
- Use proper bedding compound to fully level and support the tub.
- Tubs equipped with an air system or factory installed pre-leveled foam base are designed to install directly onto a flat level subfloor.
- Tub height is increased up to 3" when equipped with factory-installed foam base.
- Location of all therapy components is predetermined and cannot be changed.
- Options listed cannot be combined with Designer Collection options.

- Before discarding tub crate, check for accessories that may be packaged inside.
- All product measurements are ±1/2".
- Specifications and configurations are subject to change without notice.
- Measurements herein supersede all others published prior to publication date below.

CSA # MTIS-RO7142C  
 Rev. 12 10 2021

| Hydrotherapy Package                  | Components Included                      | GFCI / 110V |
|---------------------------------------|--|-------------|
| Soaker with Optional Inline Heater    | ½-bhp pump, inline heater                | 1-15 amp    |
| Whirlpool or Air Bath                 | 1-bhp pump                               | 1-15 amp    |
| Whirlpool with Optional Inline Heater | 1-bhp pump, inline heater                | 1-20 amp    |
| Air Bath with Optional Inline Heater  | heated blower, ½-bhp pump, inline heater | 2-15 amp    |

CSA Certified C/US; ANSI Z124.1 and ANSI 112.19.7

**NOTE:** Filling this tub to the maximum may require an above average size or dedicated water heater.

