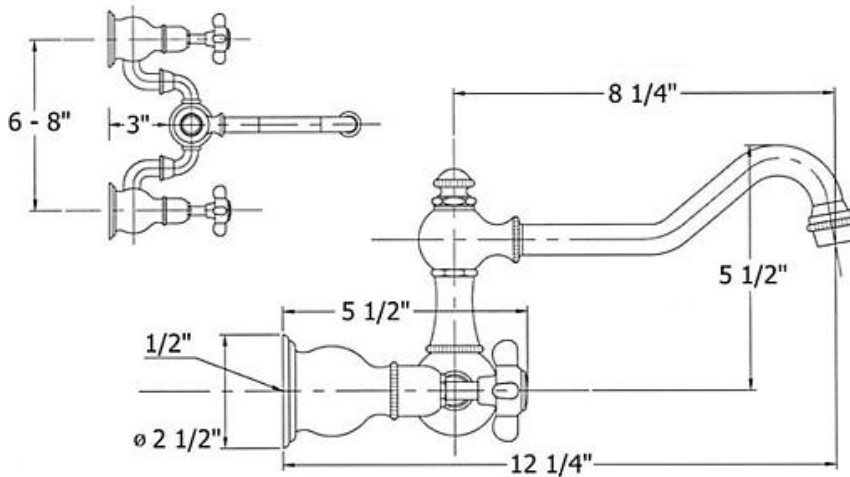


# 3023 - 'Royale' Two Hole Kitchen Mixer Wall Mounted



## Technical Information

- IAPMO: NSF/ANSI 61, NSF/ANSI 372 & ASME A112.18.1/CSA B125.1 certified.
- Uses Flühs ceramic cartridges.
- Maximum flow rate is 1.2 GPM with new low flow restrictor.
- 1/2" female connections.
- Swiveling spout.
- Center holes adjustable 6" – 8".
- Available finishes are French Weathered Brass(47), Polished Chrome(48), SoliBrass(49), Lacquered Matte Black Nickel(50), Polished Brass(55), Polished Nickel(56), Brushed Nickel(57), Satin Nickel(60), Antique Lacquered Copper(67), Antique Lacquered Brass(68), Weathered Brass(70), Lacquered Polished Black Nickel(71) and Lacquered Polished Copper(80).
- Please See Cleaning Instructions: <http://herbeau.com/CleaningAll.pdf> For Finish Care and Maintenance Information.

Part #	Description
01	Top Knob
02	Finished Washer
03	Royale Spout 8 1/4" – Ecobross
04	Aerator Washer
05	Aerator Filter
06	Aerator Cover
07	Sealing Screw
08	Spout O-Ring
09	Body – Ecobross
10	Bridge Union
11	1/2" Washer
16	1/2" Female Connector
17	Flat Rubber Washer
18	Escutcheon
19	Valve Body W/Elbow – Ecobross
22	Bell Escutcheon
23	Handle Stem
24	Cross Handle
25	Washer
26	Handle Screw
27	Finished Insert Holder
28	Ceramic Insert- Hot/Cold
29	Rubber O-Ring
85	1/2 Turn Ceramic Cartridge – Ecobross
91	Royale Finished Ceramic Insert – Hot/Cold

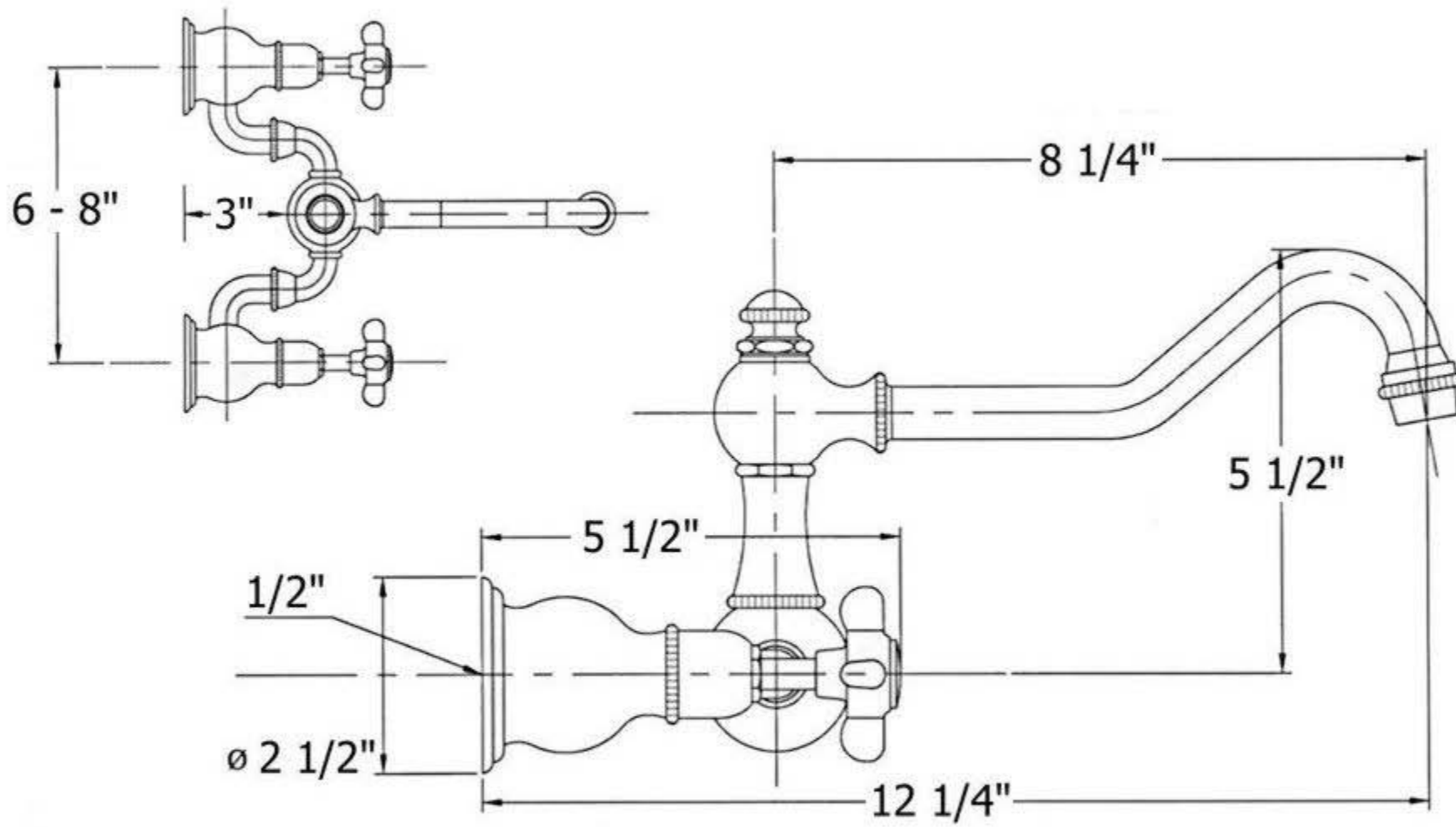
Please follow example when ordering parts for 'Royale' Mixer

- To order part#22 – Bell Escutcheon
  - 950062xx
- Please substitute finish number needed in place of **XX**



**Herbeau**®  
L'Art du Sanitaire depuis 1857

# 3023 - 'Royale' Two Hole Kitchen Mixer Wall Mounted



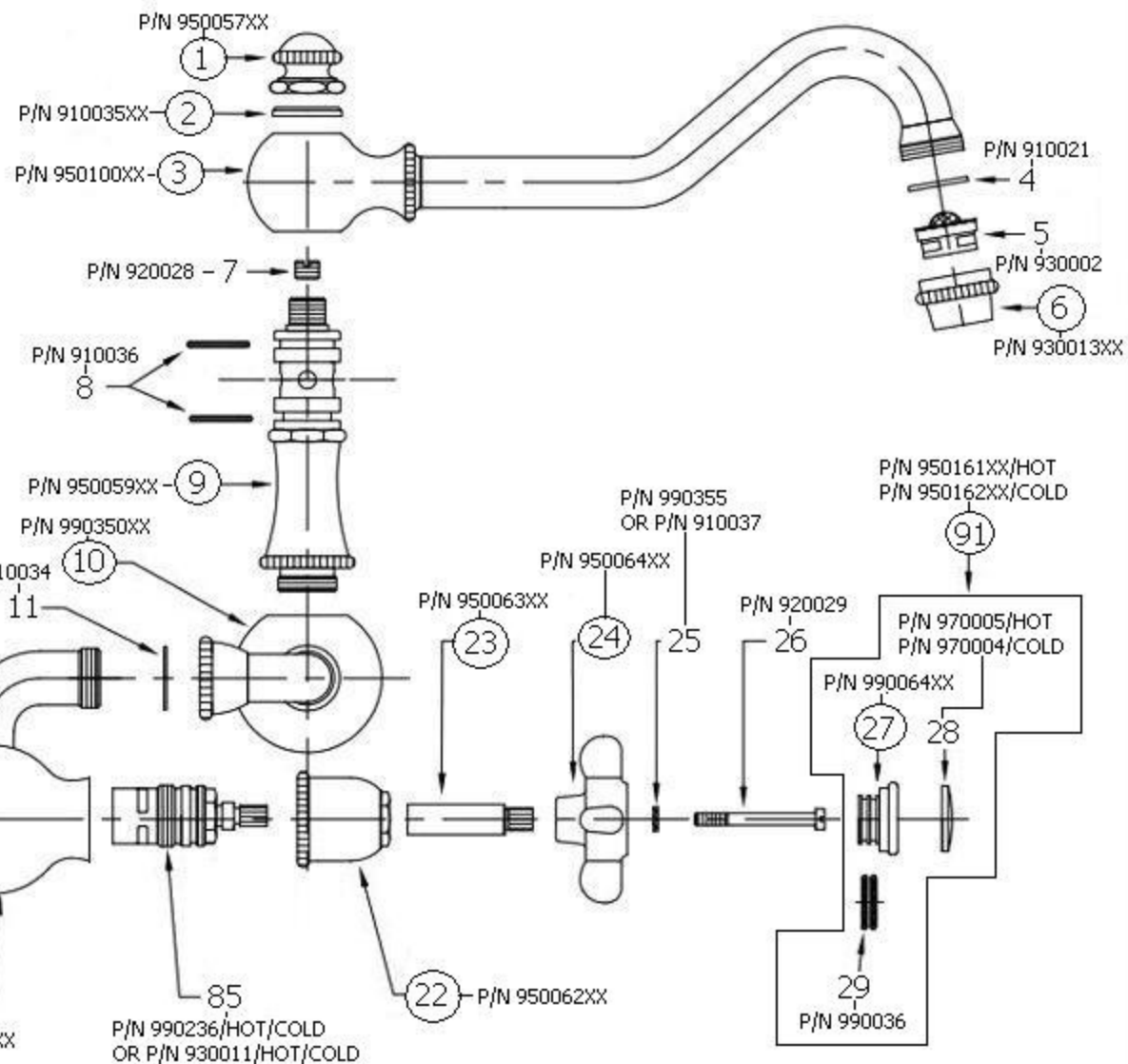
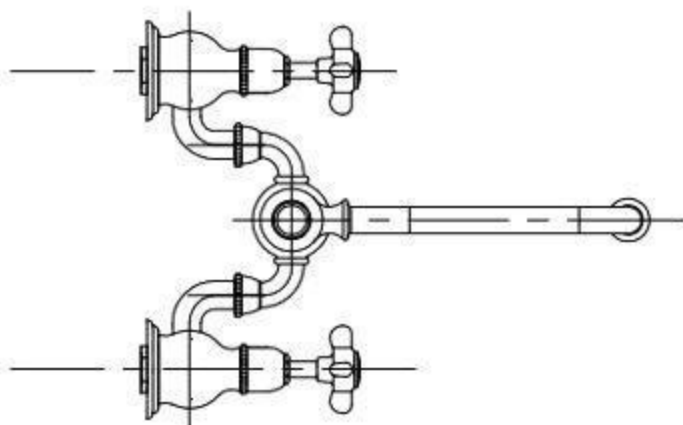
# 3023 - 'Royale' Two Hole Kitchen Mixer Wall Mounted

\*990236 CARTRIDGES FOR FAUCETS MADE AFTER 2009.

\*930011 CARTRIDGES GOOD FOR ALL YEARS

\*P/N = PART NUMBER

## TOP VIEW



○ = FINISHED PARTS

XX = TWO DIGIT FINISH CODE