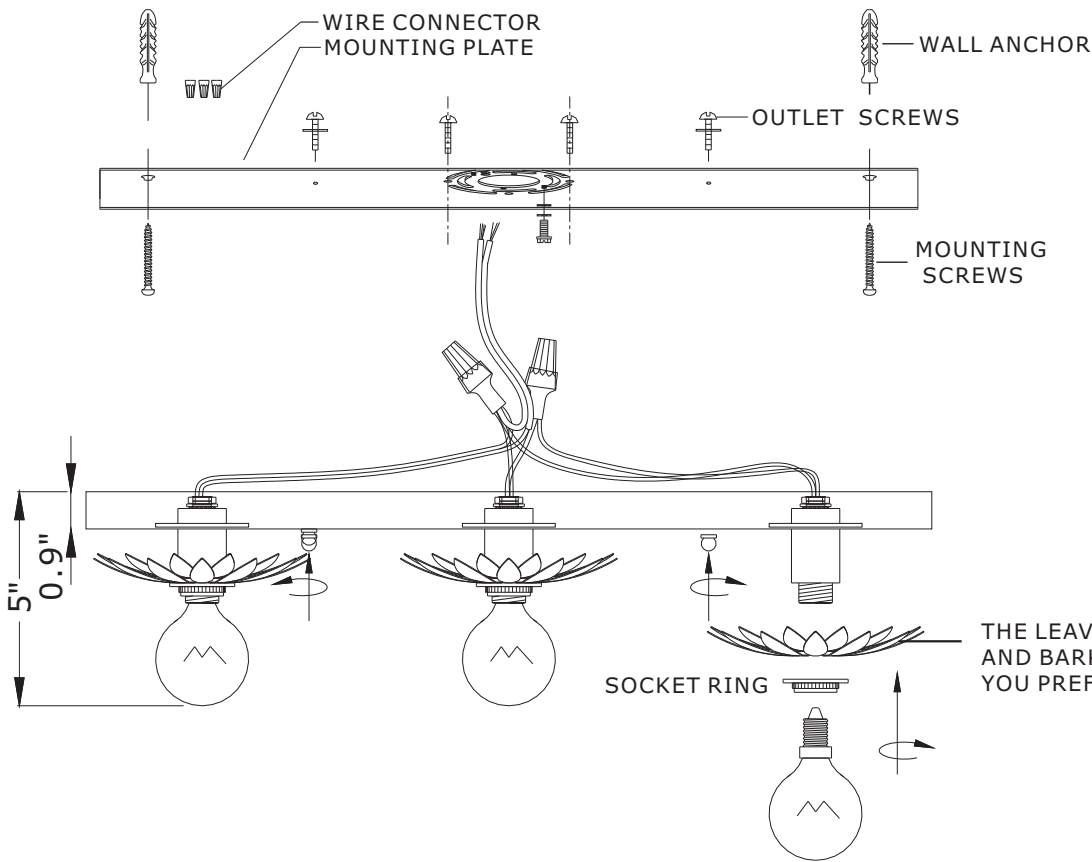



MODEL#: 503-GA-SA ASSEMBLY AND DRESSING INSTRUCTIONS

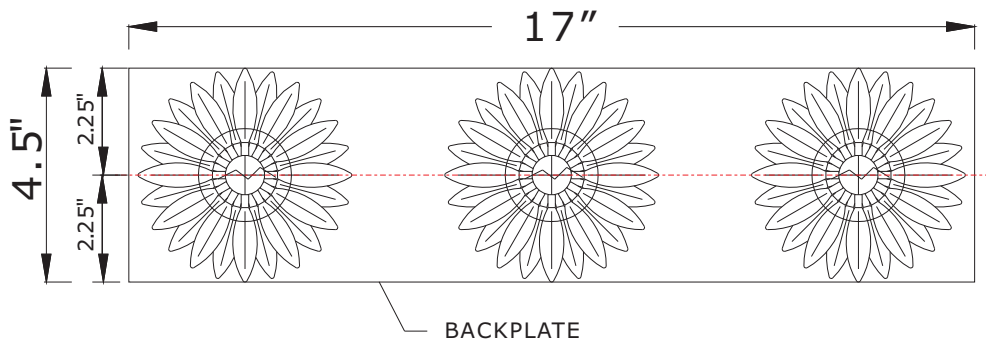


WARNING
Electrical Danger Turn Power off

All electrical components must be installed by a licensed electrician in accordance with the National Electric Code and the appropriate local electrical codes

REQUIRED G16-1/2"
You will need 3 Candelabra bulbs. 40 Watts recommended 60 Watts max. Bulb not included. USE LED FOR EXTENDED USE



UNIT CAN BE MOUNTED HORIZONTALLY OR VERTICALLY