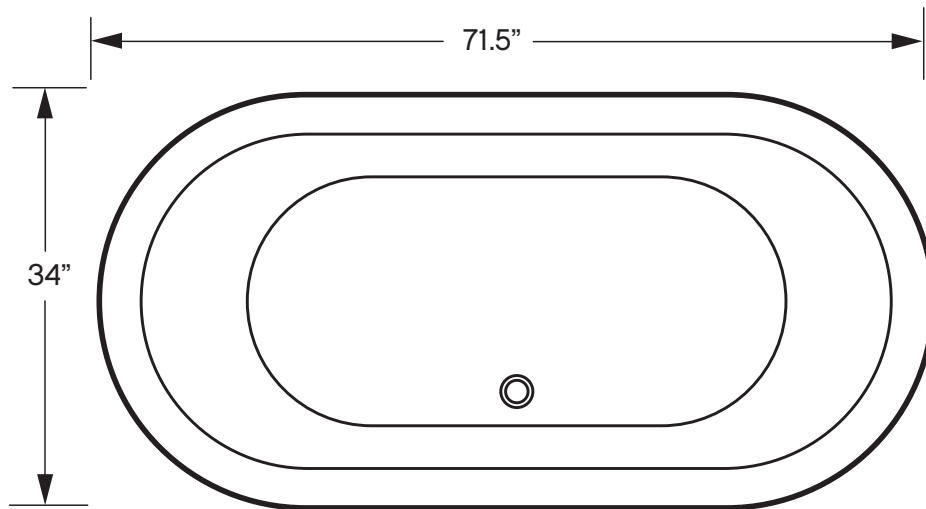
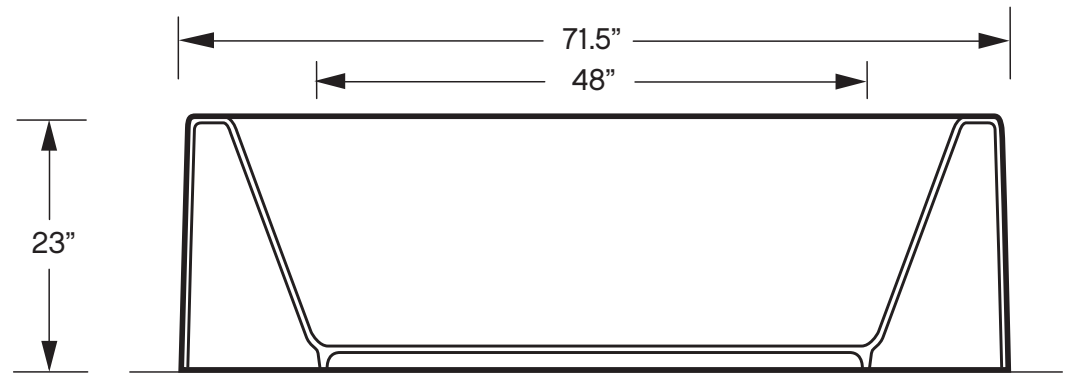
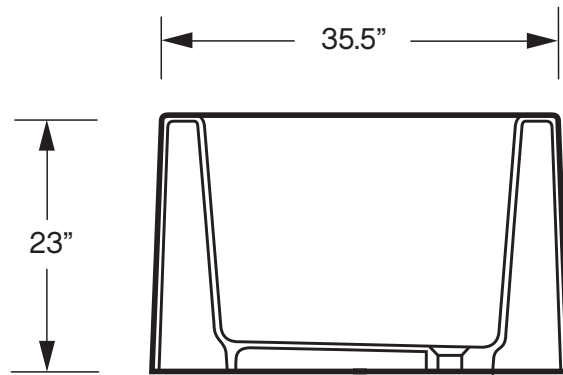


# CLARKE

ARCHITECTURAL



<b>K2</b>			
LENGTH	71.5"	CAPACITY	101 Gallons
WIDTH	35.5"	DRAIN	Center
HEIGHT	23"	MODEL #	CA7335FS-01