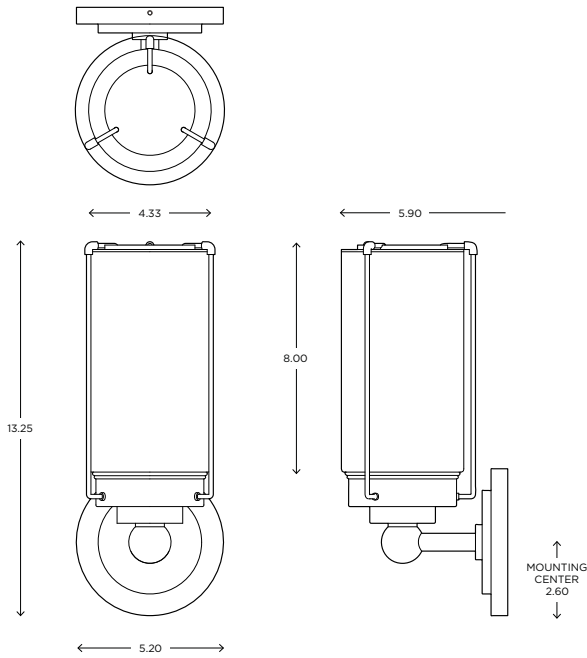


Park

CUSTOM OPTIONS



The Park sconce boasts traditional design details in a modern day aesthetic. The captured cased glass was designed to beautifully illuminate a variety of different light sources without compromising its design intent with the help of a closed top surface.

DIMENSIONS

13.25"H x 5.20"W x 5.90"P

LAMPING / VOLTAGE

- [1] 100W Max Incandescent Medium Base
1250 Lumens, 2700K, 120V, non-dimming
- [1] 26W Fluorescent CFL GX24q-3 Base
1800 Lumens, 3000K, 120V, non-dimming
- [1] 9.5W LED 60W Equiv. Medium Base
800 Lumens, 2700K, 120V, dimming

FINISH

Brushed Nickel, Polished Nickel, Polished Chrome, Oil Rubbed Bronze

DIFFUSER

Cased Shiny Opal

Customize this fixture to your specific needs



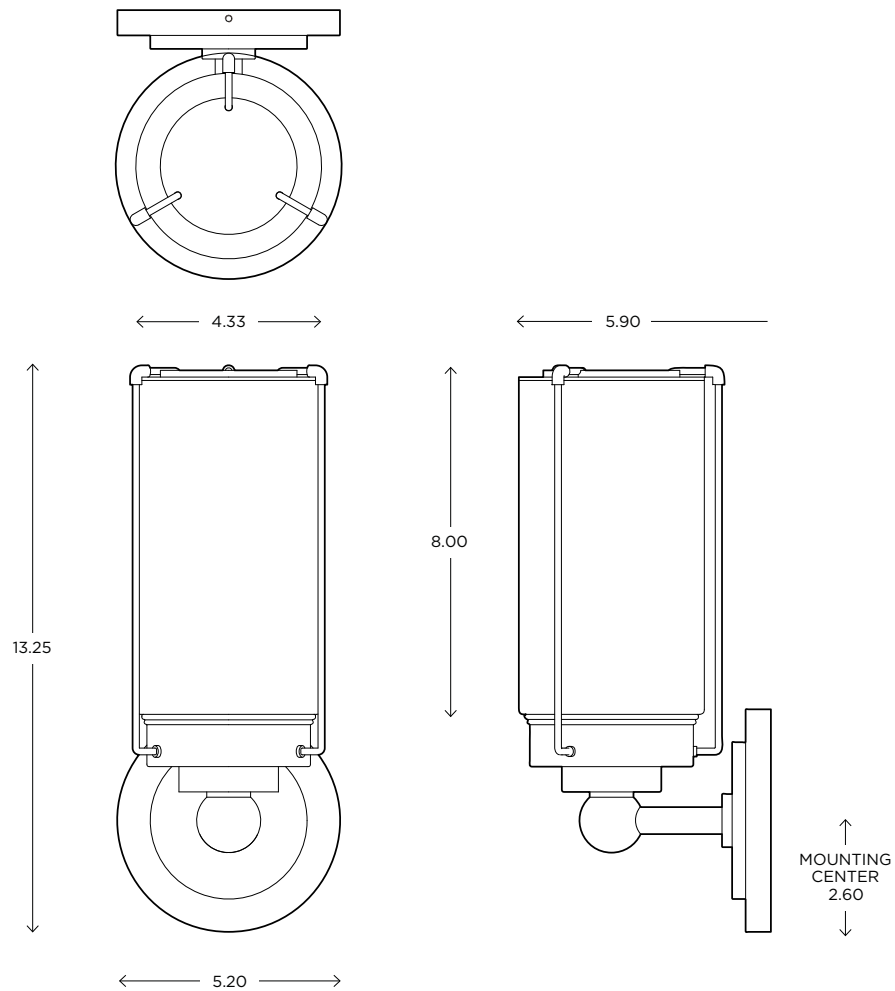
Ayre Architectural Lighting
14 Bristol Drive, Unit B
South Easton, MA 02375

Tel 508.205.0545
Toll Free 877.722.AYRE
Fax 508.205.0548


ayrelight.com

Park

CUSTOM OPTIONS

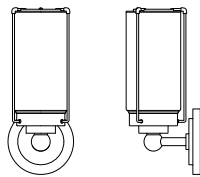


Refer to the instructions for correct j-box placement and installation requirements.

Est. Weight: 4.86 lbs 

MODEL

PARK SCNCE // PAR1



DIMENSIONS

Height: 13.25
Width: 5.20
Projection: 5.90

FIXTURE TYPE

Sconce / S

DIFFUSER

Cased Shiny Opal / CS

FINISH

Brushed Nickel / BN
Polished Nickel / PN
Polished Chrome / CH
Oil Rubbed Bronze / OB

LAMPING / VOLTAGE

INCANDESCENT / INC
[1] 100W Medium Base
120V, dimming
FLUORESCENT / FL
[1] CFL 26W GX24q-3 Base
120V, non-dimming
LED / LED
[1] 9.5W Medium Base
120V, dimming

RELATED PRODUCTS

CIRC SCNCE // CIR1

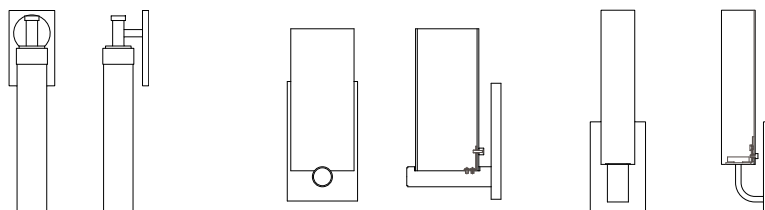
ADA

CLIK SCNCE // CLK2

REFLEX SCNCE // REF1

ADA

CIRC PENDANT // CIRP



Ayre Architectural Lighting
14 Bristol Drive, Unit B
South Easton, MA 02375

Tel 508.205.0545
Toll Free 877.722.AYRE
Fax 508.205.0548

ayrelight.com