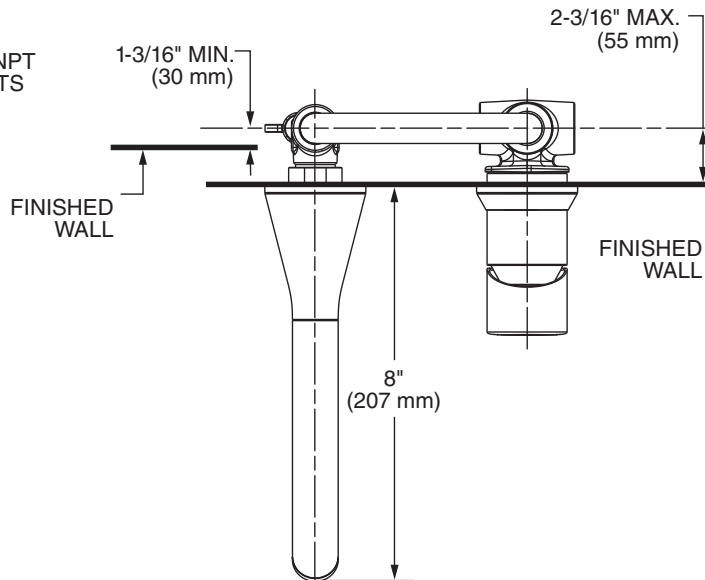
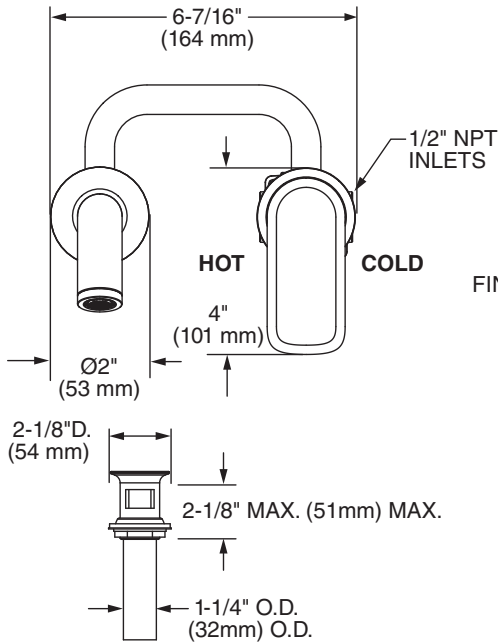


**MODEL NUMBER:**

□ 7061461 Single Control Wall Mount Faucet.



**GENERAL DESCRIPTION:**

Single lever control faucet with cast brass valve body set 4 3/8" apart. 35mm washerless ceramic disc valve cartridge with integral hot limit safety stop. Metal spout and zinc lever handle. All brass grid drain body with 1-1/4" (32mm) tailpiece. 1.2 gpm/4.5 L/min. maximum flow rate.

**PRODUCT FEATURES:**

**Brass Construction:** Durable. Easy to clean. Ideal for prolonged contact with water.

**Ceramic Disc Valve Cartridge:** Assures a lifetime of smooth handle operation and drip-free performance.

**Adjustable Hot Limit Safety Stop:** Limits the amount of hot water allowed to mix with cold. Reduces the risk of accidental scalding.

**Lead Free:** Faucet contains ≤ 0.25% total lead content by weighted average.

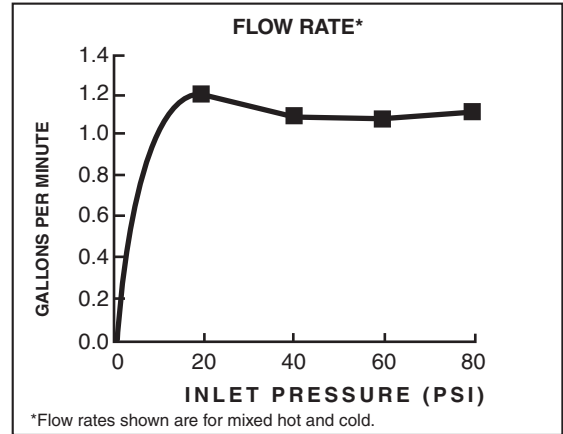
**SUGGESTED SPECIFICATION**

One-handle in-wall lavatory faucet shall feature cast brass valve body. Shall also feature a washerless ceramic disc valve cartridge with integral hot limit safety stop. Fitting shall be American Standard Model #7061461.XXX.

**CODES AND STANDARDS**

These products meet or exceed the following codes and standards:

- ANSI A117.1**
- ASME A112.18.1**
- CSA B125.1**
- NSF/ANSI/CAN 61: Q<1**
- NSF/ANSI/CAN 372**



Product Number	Description	ADA	Finish Options		
			Polished Chrome	PVD Brushed Nickel	Matte Black
			002	295	243
7061461	Single Control Wall Mount Faucet	ADA	✓	✓	✓

ADA Meets the American Disabilities Act Guidelines and ANSI A117.1 Requirements for the physically challenged.